

# Set Aiming device for VaWiKo® prox. Humerus plate 4.0/3.5

Set no. 19.375.00



Item no. 10.270.01



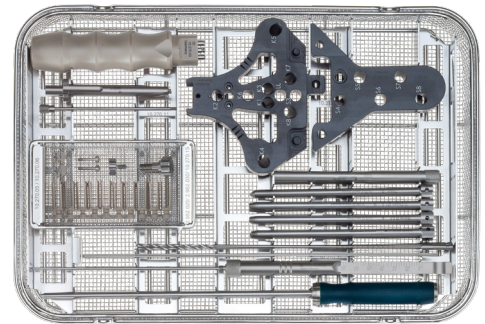
Item no. 10.270.02



Item no. 10.270.03



Item no. 10.270.05 / 10.270.06



Set no. 19.375.00 Internal hexagon

Item no.	Item description	Quant.
<b>Instruments</b>		
10.270.01	head for aiming device for proximal humerus plates 5.07913.8X	1
10.270.02	shank for aiming device for proximal humerus plates 5.07913.8X	1
10.270.05	connection screw head-shank for aiming device for proximal humerus plates 5.07913.8X	1
10.270.03	handle for aiming device for proximal humerus plates 5.07913.8X	1
10.270.06	fixing screw head-handle for aiming device for proximal humerus plates 5.07913.8X	1
10.270.10	connecting rod for aiming device for proximal humerus plates 5.07913.8X	1
10.270.11	fixing screw for connecting rod for aiming device for proximal humerus plates 5.07913.8X	1
10.270.20	tissue protecting sleeve for aiming device for proximal humerus plates 5.07913.8X	3
10.270.21	troc ar for aiming device for proximal humerus plates 5.07913.8X; length 145 mm	3
10.270.22	drill bush Ø1.6 mm; Ø 10 x 145 mm; IØ 1.7 mm for aiming device for proximal humerus plates 5.07913.8X	3
10.270.23	drill bush Ø 2.5 mm; Ø 10 x 145 mm; IØ 2.7 mm for aiming device for proximal humerus plates 5.07913.8X	3
10.270.24	drill bush Ø 3.0 mm; Ø 10 x 145 mm; IØ 3.2 mm for aiming device for proximal humerus plates 5.07913.8X	3
10.270.30	drill bit for quick coupling; Ø 2.5 x 250 mm; spiral length 60 mm; double spiral; with scaling	2
10.270.31	drill bit for quick coupling; Ø 3.0 x 250 mm; spiral length 60 mm; double spiral; with scaling	2

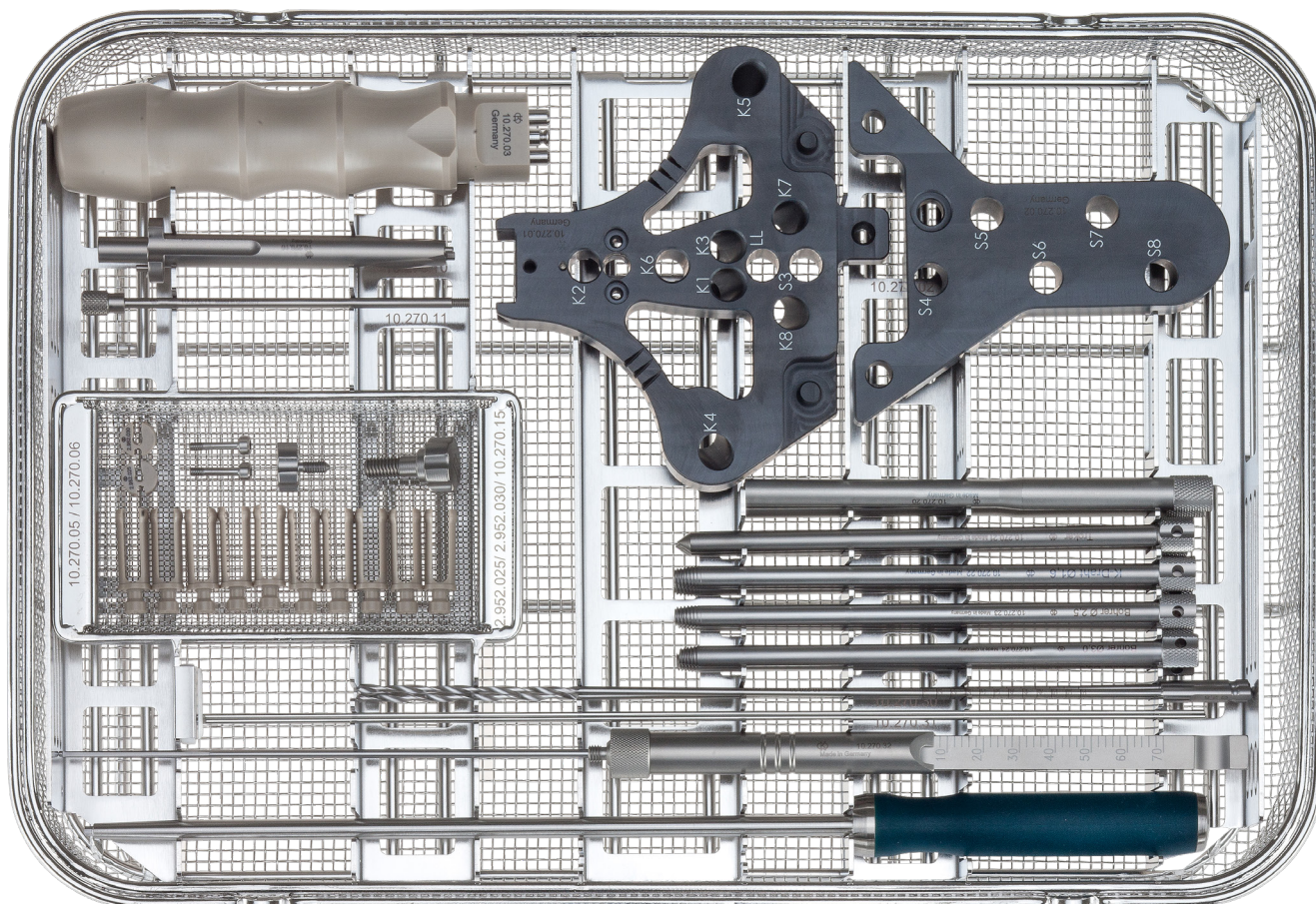
Item no.	Item description	Quant.
<b>Instruments</b>		
10.270.32	gauge for aiming device for proximal humerus plates 5.07913.8X; measuring range 70 mm	1
10.2705.40	hex screwdriver for Ø 3.5 mm and Ø 4.0 mm; wrench size 2.5 mm; conical; length 315 mm	1
2.952.025	measuring aid f. drill Ø 2.5 mm	1
2.952.030	measuring aid f. drill Ø 3.0 mm	1
10.270.15	blind plug for aiming device for proximal humerus plates 5.07913.8X	10
10.179.15/17	screw head/connection rod for aiming device for proximal humerus plates 5.07913.8X	2

<b>Wire</b>		
6.061.16	Kirschner wire with trocar point and round end, Ø 1.6 x 280 mm, stainless steel	5

<b>Container</b>		
19.374.00	perforated autoclavable container with inset for proximal humerus-guide frame instruments	1

# Set Aiming device for VaWiKo® prox. Humerus plate 4.0/3.5

Set no. 19.375.00



Set no. 19.375.00  Internal hexagon

## Information

The system name VaWiKo® is derived from the German designation „Variabel winkelstabile Kombination“, which translates into English as „variable angle-stable combination“. This system combines conventional plating technologies with angle-stable locking in variable angles.

VaWiKo® is a registered trademark of Königsee Implantate GmbH.



Königsee Implantate GmbH  
OT Aschau | Am Sand 4  
07426 Allendorf | Germany

Fon +49 36738 498-560  
Fax +49 36738 498-569

Mail [export@koenigsee-implantate.de](mailto:export@koenigsee-implantate.de)

For further information please visit:  
[www.koenigsee-implantate.com](http://www.koenigsee-implantate.com)

HeBo | Edition 02 | 2019-10  
All pictured products are CE compliant.